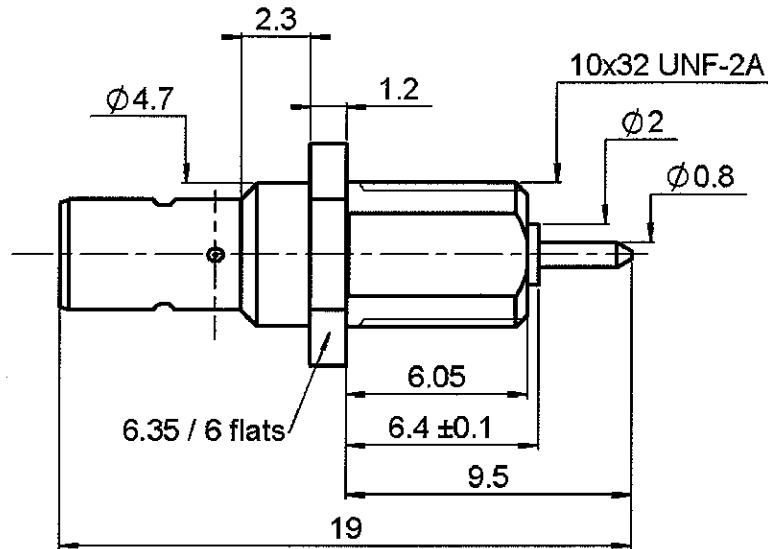


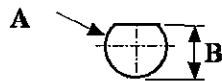
ADJUSTABLE SCREW MALE RECEPTACLE
FRONT MOUNT - SOLDER POT CONTACT

R114.552.500

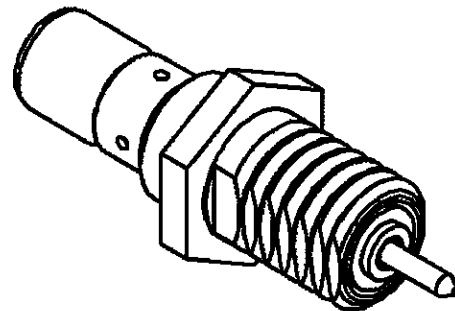
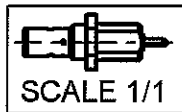
Series : SMB



PANEL CUT OUT



	mm	
	Maxi	mini
A	5	4.9
B	4.58	4.46



All dimensions are in mm.



COMPONENTS	MATERIALS	PLATING (µm)
BODY	BRASS	GOLD 0.2 OVER NICKEL 2
CENTER CONTACT	BRASS	GOLD 1.3 OVER NICKEL 2
OUTER CONTACT	-	-
INSULATOR	PTFE	-
GASKET	-	-
OTHERS PARTS	-	-
-	-	-
-	-	-

Issue : 0549 B

In the effort to improve our products, we reserve the right to make changes judged to be necessary.



**ADJUSTABLE SCREW MALE RECEPTACLE
FRONT MOUNT - SOLDER POT CONTACT**

R114.552.500

Series : SMB

PACKAGING

Standard	Unit	Other
100	'W' option	Contact us

SPECIFICATION

ELECTRICAL CHARACTERISTICS

Impedance	50	Ω
Frequency	0-4	GHz
VSWR	1.05 + 0,0200	x F(GHz) Maxi
Insertion loss	0.03*	√F(GHz) dB Maxi
RF leakage	- (57	- F(GHz)) dB Maxi
Voltage rating	500	Veff Maxi
Dielectric withstanding voltage	1000	Veff mini
Insulation resistance	1000	MΩ mini

ENVIRONMENTAL

Operating temperature	-65/+165	° C
Hermetic seal	NA	Atm.cm3/s
Panel leakage	NA	

OTHER CHARACTERISTICS

Assembly instruction

Others :

* COAXIAL TRANSMISSION LINE ONLY

MECHANICAL CHARACTERISTICS

Center contact retention		
Axial force – Mating end	10	N mini
Axial force – Opposite end	10	N mini
Torque	NA	N.cm mini
Recommended torque		
Mating	NA	N.cm
Panel nut	60	N.cm
Mating life	500	Cycles mini
Weight	1,3790	g

Issue : 0549 B

In the effort to improve our products, we reserve the right to make changes judged to be necessary.

